

Invitation

Solar Cooling Workshop

in conjunction with the 9th expert meeting of IEA SHC Task 53
New Generation Solar Cooling & Heating Systems
(PV or solar thermally driven systems)

Date: 12.04.2018

Venue: ILK Dresden, Bertolt-Brecht-Allee 20, 01309 Dresden, Germany
(see page 3 for details)

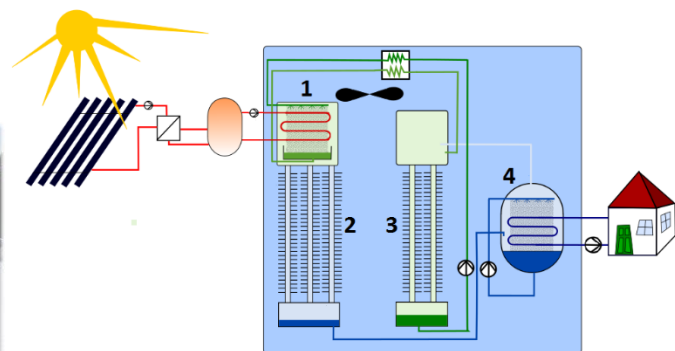
Solar Cooling describes the use of solar energy (thermal or PV) to provide air-conditioning or cooling for food preservation. The goal of a 4-year project ([Task 53](#)) within the Solar Heating and Cooling Programme of the International Energy Agency is to assist a strong and sustainable market development of solar PV or new innovative thermal cooling systems.

One day after the final Task meeting the Solar Cooling Workshop hosted by ILK Dresden will present some major results of Task 53 to the public. Several additional presentations from industry, researchers, consultants and architects will give an broad overview of recent developments in the sector.

The Workshop is free of charge. Registration is required as the number of participants is limited.

Please register until **April, 9th 2018** by sending an

Email: energy@ilkdresden.de or Fax: +49 351 4081-705



Contact for inquiries:

+49 351 4081-700

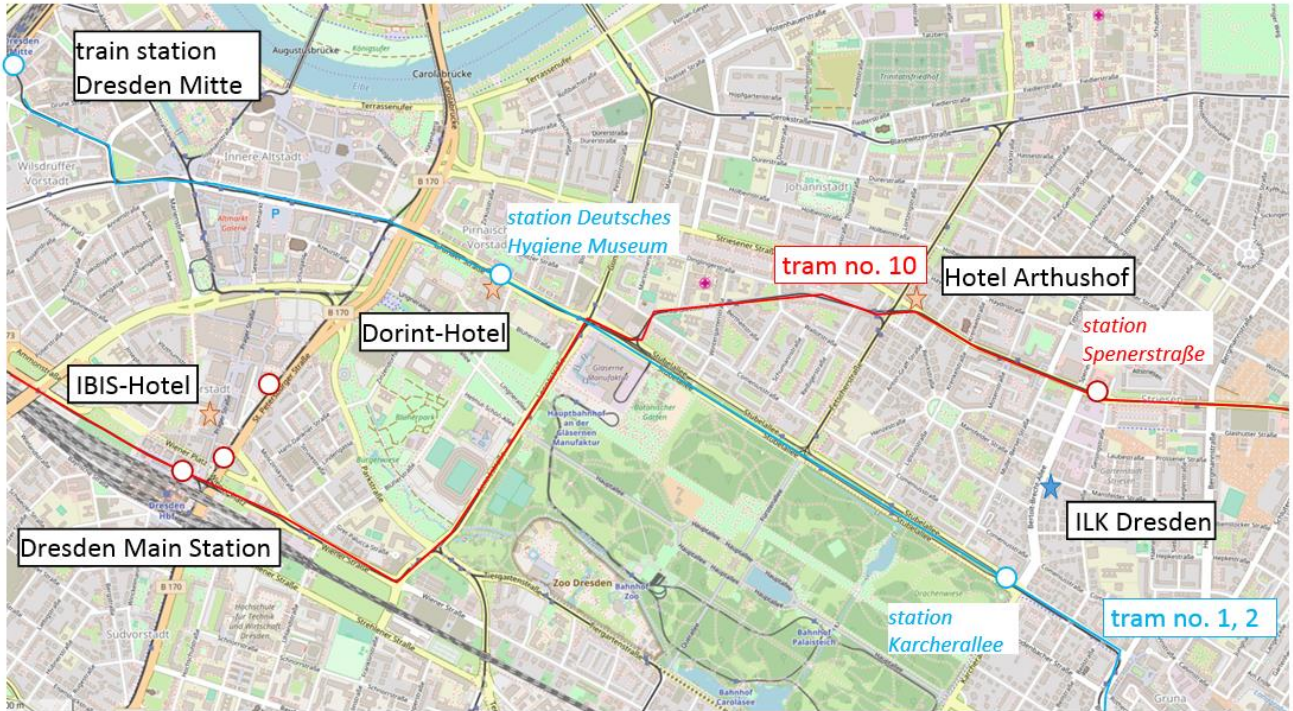
energy@ilkdresden.de

Programme

08:30	09:00	Registration and welcome coffee	
09:00	09:10	Welcome note	
09:10	09:30	The role of solar heating and cooling in the German political energy and environmental objectives	Annett Kühn Projekträger Jülich (PtJ)
09:30	09:50	Development demand and optimisation potential on solar cooling - a technology view from cooperations with industry and optimisation studies	Alexander Morgenstern Fraunhofer ISE
09:50	10:10	Technical and economic analysis of different solar cooling systems - summary of Task 53 results	Daniel Neyer University of Innsbruck/daniel neyer brainworks
10:10	10:30	Technical report on best practices for energy storage including both efficiency and adaptability in solar cooling systems (Task 53 - A3 results)	Elena Lavinia University of Fribourg
10:30	10:45	Coffee Break	
10:45	11:05	PCM integration in household refrigeration appliances for demand management in smart grid systems	Andreas Krönauer ZAE Bayern
11:05	11:25	Smart-grid control and the integration of cooling systems	Daniel Kühne kiwigrd
11:25	11:45	Intermediate Results of the German SolarSplit-Project	R. Schex, M. Richter, C. Heinrich ZAE Bayern/ ILK Dresden
11:45	12:05	Offgrid photovoltaic cooling systems with ice block generation	Jörg Waschull ILK Dresden
12:05	12:25	Results from feasibility studies of solar cooling systems in Mexico and the Arab Region	Uli Jakob, SOLEM Consulting / Green Chiller Association
12:25	13:10	Lunch	
13:10	13:30	Solare Kühlung in der Architektur	Johannes Hegger HHS PLANER + ARCHITEKTEN AG
13:30	13:50	Autarkic cooling via building skins - Results from Coolskin-project	Tim Selke, Austrian Institute of Technology
13:50	14:10	Power-to-Cold using vacuum ice slurry technology in the scope of German WindNODE project	Marcus Honke ILK Dresden
14:10	14:30	SunOyster Cooling System - Concentrated solar systems for cooling generation	Carsten Corino, Johannes Kneer SunOyster
14:30	14:50	New developments and applications in solar cooling with Invenor adsorption chillers	Sören Paulußen Invenor
14:50	15:10	WEGRACAL C - New water/LiBr absorption chillers based on plate heat exchangers	Mathias Safarik ILK Dresden
15:10		Farewell coffee and Technical tour through ILK (Institute for Air-Handling and Refrigeration)	

LOGISTICS

Workshop Venue: ILK Dresden, Bertolt-Brecht-Allee 20, 01309 Dresden, Germany



Suggested Hotels:

- Dorint-Hotel
 - Ibis-Hotel Königstein (close to Dresden Main Station)
 - Hotel Arthushof (10 Minutes-walk to meeting place)
 - Hotel Smetana (10 Minutes-walk to meeting place)
- all hotels are easily accessible by public transport

Arrival to Dresden:

By Plane: From Dresden airport, catch train S2 to Dresden Main Station

for Dorint-Hotel change at Dresden-Mitte and catch tram no. 1 or 2 direction Prohlis, Kleinschachwitz, leave tram at station Deutsches Hygiene Museum, hotel is right in front of you

for IBIS-Hotel leave train at Dresden Main Station, exit to the north, direction Prager Straße, hotel is a five minute walk along the Prager Straße on left side

for Hotel Arthushof leave train at Dresden Main Station and catch tram no. 10 direction Striesen, leave tram at station Fetscherplatz

Links:

German Railway: www.bahn.de

Dresden Public Transport: <https://www.dvb.de/en-gb/>

PT network map: https://www.dvb.de/-/media/files/liiniennetz/lnp%202018/dvb_lnp_2018_web.pdf

To Workshop

By public transport:

from **Dorint hotel** take tram no. 1 or 2 in direction Prohlis, Kleinschachwitz / leave tram at station Karcherallee and then walk left into Karcherallee and the Bertolt Brecht Allee.

from **IBIS hotel** take tram no. 10 in direction Striesen, leave tram at station Spenerstraße, walk right into Bertolt Brecht Allee.